

THIS DRAWING IS UNPUBLISHED.

RELEASED FOR PUBLICATION

© COPYRIGHT - BY TYCO ELECTRONICS CORPORATION.

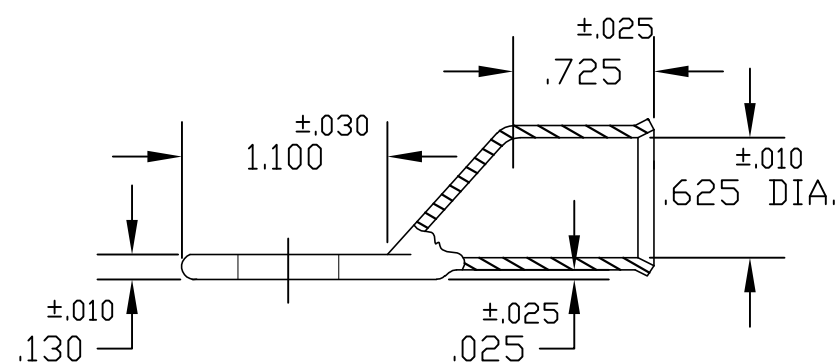
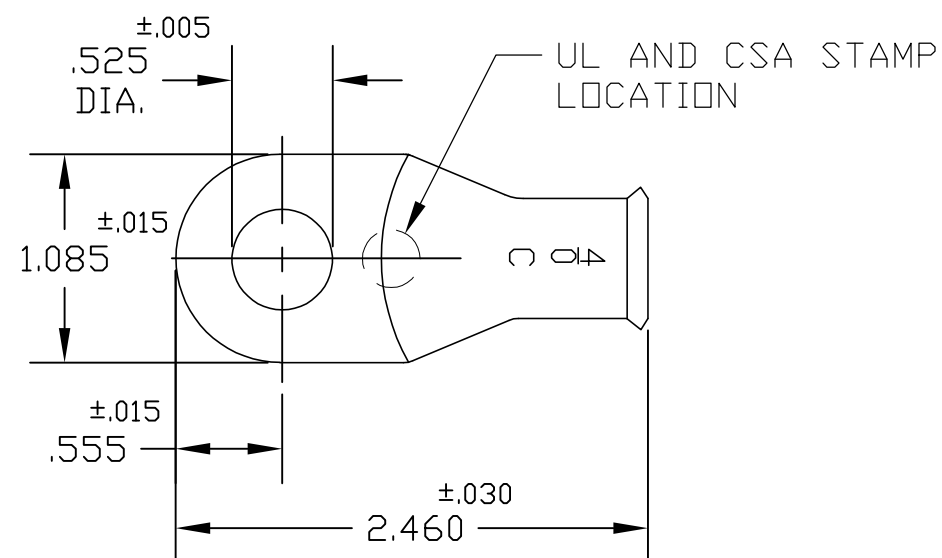
ALL RIGHTS RESERVED.

LOC
G

DIST
50

REVISIONS

P	LTR	DESCRIPTION	DATE	DWN	APVD
	C	REV PER ECR 07-014512	21JUN07	JR	DD



ACTIVE	40503-01	STANDARD	TIN PLATE	1526911-2
ACTIVE	40503-00	STANDARD	PLAIN	1526911-1
STATUS	AET P/N	PACKAGING	FINISH	PART NUMBER

THIS DRAWING IS A CONTROLLED DOCUMENT.		DWN D.A.A 9/15/00	Tyco Electronics Corporation Harrisburg, PA 17105-3608	
DIMENSIONS: INCHES		CHK H.D.F 9/15/00		
		APVD H.D.F 9/15/00	NAME 4/0C STANDARD TERMINAL	
TOLERANCES UNLESS OTHERWISE SPECIFIED:		PRODUCT SPEC	-	
0 PLC ± - 1 PLC ± - 2 PLC ± - 3 PLC ± - 4 PLC ± - ANGLES ± -		APPLICATION SPEC	-	
MATERIAL COPPER ASTM B-152		FINISH -	WEIGHT -	SIZE A3
		CAGE CODE 00779		DRAWING NO G-1526911
		RESTRICTED TO -		
CUSTOMER DRAWING		SCALE 1:1	SHEET 1 OF 1	REV C